

“Particle of God” as insulting of the Divine Principle

International Journal of Theoretical & Computational Physics

Short Article

Robert A. Sizov

Independent Researcher, Paustovskogo st. 3-566, Moscow
Russia

*Correspondence author

Robert A Sizov
Independent Researcher
Paustovskogo st. 3-566,
Moscow
Russia

Submitted : 10 Apr 2021 ; Published : 26 Apr 2021

Abstract

The author's research has shown that fundamental magnetic poles (magnetic charges) are real structural components of atoms and substance. It is the magnetic poles, and not the moving electric charges are the direct sources of all magnetic fields and magnetic manifestations in Nature. The main reasons that real magnetic charges were “buried alive” in modern theories are the physics of its confinement in substance which is radically different from the confinement of electrons, as well as the vicious electromagnetic theory (electric magnetism) of Maxwell (1873). The vicious ignoring of real magnetic charges, as well as true anti-electrons in physical science for almost 150 years is responsible for the appearance of such global theoretical delusions as the curvature of 4-dimensional space-time, explaining the nature of gravity, the global expansion of the Universe and the big bang. Annihilation of particles in the pairs particle - antiparticle and many, many others. The author's experiments have shown that the gravitational field is the vortex electromagnetic field, and all varieties of Physical Mass (FM) are of the electromagnetic atom-figurative structures, which are capable of emitting gravitational field. The masses are, for example, atoms and nucleons. If magnetic charges are removed from the FM composition, then only electric particles will remain in this “place” which themselves, without the participation of magnetic poles, are not able to form either mass or gravitational field. All fundamental electric and magnetic particles are not and cannot become masses, and even “God particles” cannot change anything here. The notion the famous Higgs boson and its main purpose - to give mass to particles is of just a vicious theoretical fiction and a sad result of following erroneous electromagnetic concept of Maxwell. In addition, there is no division of Masses into gravitational and inert ones. The concepts of gravitational and inert mass refer to the same electromagnetic structure, called Mass, but they correspond to different processes of interaction of its gravitational field with other masses (so-called gravitational mass) and the environment (so-called inert mass). As for spinor particles, that is, charged particles, they have the property of inertia, however, this circumstance cannot bind these particles with of a real mass.

Keywords: Magnetic charges, Magnetons, Antimagnetons, True antielectrons, Magnetic dipoles, S-Gravitons, Gravitational field, Physical mass, field and boson of Higgs, “Particle of God”.

Electric and magnetic charges in atoms and substance

The author's experimental and theoretical studies have shown that magnetic poles (magnetic charges) are real structural components of atoms and matter and are direct sources of all magnetic fields and magnetic manifestations in Nature. A magnetic charge with a negative sign g^- received the author's name **magneton** (not to be confused with Bohr's magneton). The antiparticle to a magneton this **antimagneton** with a positive magnetic charge g^+ . The charges of magnetic spinor particles, which, together with electrons and true anti-electrons, form the shells of atoms, meet the condition $g = e$ where e is electron charge. The main state of fundamental magnetic charges in Nature, as well as electric charges, is their existence as part of the corresponding spinor pairs, which most often manifest themselves in the form of **dipoles** [1 - 6].

Under the influence of electric current J_e , vortices of the above-mentioned magnetic dipoles are realized in the con-

ductor, which are described by the expression $\text{rot} \mathbf{J}_g$, and the equation of the process of their formation has the form: $k_1 \mathbf{J}_e = \text{rot} \mathbf{J}_g$ (1). It is the vortices of magnetic dipoles formed in a conductor under the action of an electric current that are direct sources of the vortex magnetic field $\text{rot} \mathbf{H}$, the formation of which is described by the equation $k \mathbf{J}_e = \text{rot} \mathbf{H}$ (2) [7, 8].

The well-known, the so-called the first Maxwell equation $k \mathbf{J}_e = \text{rot} \mathbf{H}$ (3) is extremely erroneous, since it includes two physically different processes noted above [9]. This equation appeared as a result of the superficial impression of the Great Theorist from the famous Experience of Oersted [10]. It is important to emphasize that moving electric charges in the described process (1) are just intermediaries the role of which is solely in the unwinding of the vortices of the magnetic dipoles actually existing in the conductor.

The first person to experimentally observe real magnetic charges in a substance was the remarkable Austrian physicist Felix Ehrenhaft. Based on the results of his research which lasted for more than 40 years, he published about 30 articles in physical journals [11]. It is important to note that Ehrenhaft's experiments were repeated by numerous followers who confirmed his results and conclusions (see, for example, [12]).

The researches of the author of this article, which, with interruptions, have been carried out since 1968, have shown that electrons and magnetic charges in a normal conductor are under conditions of the radically different physics of their confinement. So, electrons populate real conduction bands, which allows them to participate in the composition of the electric current. As for the magnetic charges, they are in potential conduction bands and their movement in a normal conductor is possible only in the processes of the above-mentioned dipole rotations around the electric current lines.

It is important to note that under the noted conditions of hard confinement in matter, along with magnetic charges, there are also true antielectrons (e^+). The author's research has shown that the positron is not an anti-electron, as it follows from modern physical concepts, since represents the mass, i.e. atomic-like structure. As for the true antielectron so it "sits" in the positron as its nucleus and determines its positive charge e^+ [13].

The conditions for holding electric and magnetic charges in the normal (non-superconducting) state of a conductor are shown in Figure 1, which shows the location of the levels of electrons, true anti-electrons and magnetic charges (magnetons and anti-magnetons) on the energy scale.

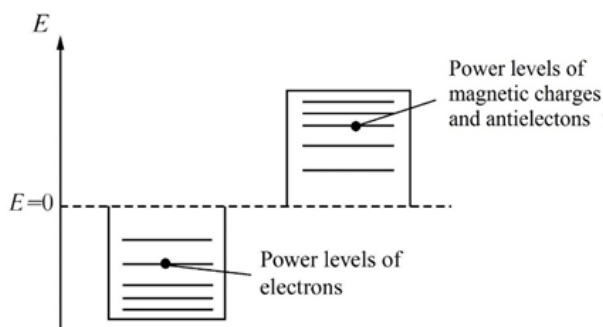


Figure 1: Schematic diagram of the location on the energy scale of the levels of electrons (in the energy well) and magnetic charges with true anti-electrons (under the energy dome) in the normal state of conductor.

As you know, electronic levels are in a potential "well" and for an electron to come out into a free state from connection with the conductor lattice it is necessary to increase its internal energy, for example, by heating. As for the magnetic charges and true anti-electrons, their energy levels are located under the potential "dome" and for these particles to enter the free state, the substance should be cooled, i.e. reduce its internal energy. At deep stages of cooling of some substances, their superconducting state is realized which is associated with the transition of magnetic charges and true anti-electrons into a

state free from coupling with the superconductor lattice. Under conditions of superconductivity the differences in the physics of confinement of electric and magnetic charges in the lattice of a solid are removed which manifests itself in the complete symmetry of electromagnetic effects and manifestations.

Of course, the physics of the confinement of magnetic charges in atoms and matter noted above is the main reason that these fundamental particles have been ignored by physical science. At the same time, it should be recalled that the main "switchman" who back in 1873 directed the theory of magnetism along the wrong path was J. Maxwell with his vicious electromagnetic concept. Within the framework of this concept the Great physicist, in absence of knowledge about the real physical processes occurring in the conductor with an electric current, i.e. without even thinking about that inside the conductor may exist a real magnetic charges, deprive the magnetic field of own source, i.e. of the magnetic pole (magnetic charge), replacing it only superficially obvious acts of mechanical motion of electrons.

It is exclusively under the influence of this vicious concept the world physical theory has ignored of the existence in atoms and substance, practically, the three quarters of fundamental spinor particles, has leaving yourself only negative electric and neutral particles for "convenience" of physical interpretations [14].

The technology of charging and enriching of bodies with magnetic charges, developed by the author allowed him to obtain a substantial magneto-motive force (MMF) - a magnetic analogue of an EMF and to realize a current of magnetic charges in a static superconductor. The field that is found around such a current is, with a high degree of probability, a vortex electric field described by the vortex vector $\text{rot}\mathbf{E}$ (see in [3, 6]).

The formation of the latter field, by analogy with the surface (Maxwellian) equation (3), can be written in the form $k \mathbf{Jg} = \text{rot}\mathbf{E}$ (4). A polarized electric needle, installed near a conductor with a current of magnetic charges \mathbf{Jg} , exhibits an effect that is an electrical analogue of the famous magnetic effect (experiment) of Oersted. However, equation 4, like the first Maxwell equation 3, is physically erroneous, since it combines into a single action two different physical processes described by the equations: $k_1 \mathbf{Jg} = \text{rot}\mathbf{Je}$ and $k_2 \text{rot}\mathbf{Je} = \text{rot}\mathbf{E}$ where $\text{rot}\mathbf{Je}$ are vortex electric charges formed by rotating dipoles in the composition: an electron and a true antielectron.

The processes of formation of magnetic and electric vortex fields noted above, emphasizing the conditions of symmetry of electric and magnetic manifestations, are shown in Figure 2.

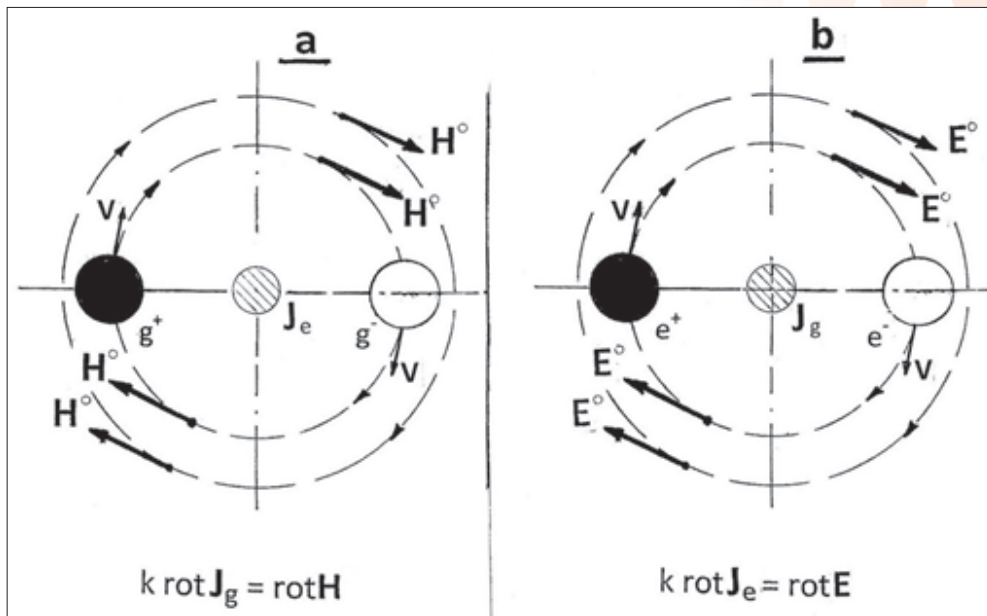


Figure 2: Schemes of mechanisms formation of vortex spinor fields: magnetic (a) and electrical (b). By white circles on the Fig. 2 showed negative charged electric and magnetic spinors: electron (e^-) and magneton (g^-), and black circles are positively charged antispinors corresponding to them with charges e^+ and g^+ . The classical equations of the processes formation vortex magnetic and electrical of fields also shows in Fig. 2. The circles attached to the vectors of fields in Fig. 2 are intended to once again emphasize their vortex nature.

Let us emphasize here once again that the formation of vortex electric field $\text{rot} E$ (see Fig. 2b) and the noted manifestations of electromagnetic symmetry are possible only in superconductivity conditions.

It is important to note that the vicious disregard of real magnetic charges, as well as true antielectrons did not pass without a trace for the existing physical theory. These unrecognized fundamental particles were forcedly replaced, more or less, by suitable theoretical surrogates. So, for example, magnetic charges in atomic shells are covered with such “fig leaves” as magnetic moments of electrons, and true antielectrons were replaced by Dirac holes or electron vacancies [15, 16].

Vortex electromagnetic (gravitational) field and physical mass with real magnetic charges

The author’s research results allowed him to establish the physical parameters and the place of real magnetic charges in the structures of atoms and matter. For example, he showed that atomic shells consist of electric and magnetic spinor particles, the charges of which correspond to the condition $e = g$, and the shells themselves are electromagnetic, and not purely electronic, as has always been believed [17]. It is important to emphasize that the number of magnetic spinor particles in atomic structures is approximately equal to the number of electrical particles. It is the electromagnetic shells of atoms that are natural sources (generators) of the gravitational field which in reality is a vortex electromagnetic field.

The elementary source of the gravitational field in Nature is an electromagnetic quasiparticle, which received the author’s name S-Graviton (S from the English “source”). The S-Graviton contains two spinors (an electron and a magneton) and two

corresponding antispinors. S-Graviton can be represented as a “ligament” of electric and magnetic dipole, rotating in anti-phase in one atomic or nucleon orbits. This quasiparticle can also be represented in the form of two joint antiphase orbital currents of electric and magnetic charges.

The above-described model of elementary vortex electromagnetic current or S-Graviton can be written in mathematical form as: $\text{rot}[J_e - J_g]$, where J_e and J_g are vectors of the instantaneous current density of electric (e) and magnetic (g) charges corresponding to their vortex (circular) flows. Then the equation of the process of formation of the gravitational field is written in the following form:

$$k \text{rot}[J_e - J_g] = \text{rot}[E - H] \quad (7),$$

where E and H are the vectors of instantaneous electric and magnetic field strengths at each point of the vortex electromagnetic (gravitational) field, and k is the proportionality coefficient. The vortex vector $\text{rot}[E - H]$ corresponds to an elementary GF emitted by a single S-Graviton. The minus signs set in the above equation of the process of formation of the gravitational field (7) correspond to both the antiphase ratio of eddy currents of electric and magnetic charges in the S-Graviton, so and the antiparallel orientation of the vectors of instantaneous electric and magnetic field strength at each point of the gravitational field. It is also important to note that the described in the article ordering of electric and magnetic particles in composition S-Gravitons follows the principle of the energy minimization [18 - 20].

Thus, in contrast to the vortex magnetic field, each point of which corresponds to one vector of instantaneous intensity H , each point of the elementary gravitational field corresponds to

two vectors of instantaneous field intensity \mathbf{E} and \mathbf{H} equal in magnitude and directed antiparallel.

Vector-vertical analogy between magnetic (a) and gravitational (b) of fields is shown on Figure 3.

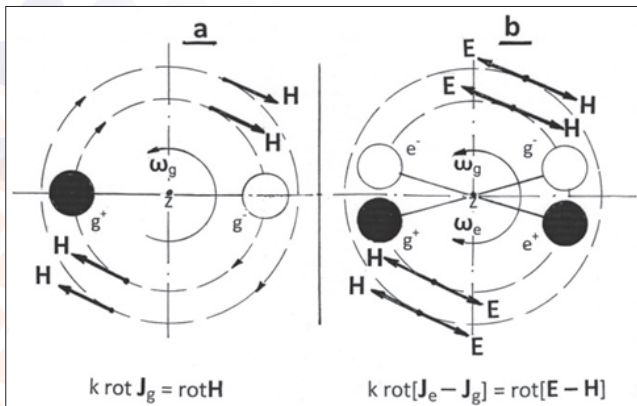


Figure 3: Schemes of mechanisms formation of the vortex spinor fields: magnetic (a) and electromagnetic (gravitational) (b). By white circles on the Fig. 3 showed negative charged electric and magnetic spinors: electron (e^-) and magneton (g^-) and black circles - positively charged antispinors corresponding to them with charges e^+ and g^+ . The classical equations of the processes formation magnetic and electromagnetic (gravitational) of fields also shows in Fig. 3.

It is S-Gravitons that are the basic gravitating elements and are realized exclusively in electromagnetic structures of an atom-like type (atoms, nucleons, substance etc.) where the necessary physical conditions for their functioning are provided. It is also important to note that the ordering of the electrical and magnetic particles in the S-Gravitons complies with the principle of energy minimization.

The atom-figurative electromagnetic structures with S-Gravitons which are distinguished by their ability to emit a gravitational field are what is commonly referred to in physics as Physical Mass.

The peculiarities of the structural arrangement of real Physical Mass can be clarified by the example of the hydrogen atom (protium), shown in Figure 4. In Fig. 4a shows a diagram of this atom which corresponds to existing concepts in the development of which the existence of magnetic charges and true anti-electrons was ignored. As you know, the shell of atom in this version consists of one electron and cannot form an electromagnetic (gravitational) field.

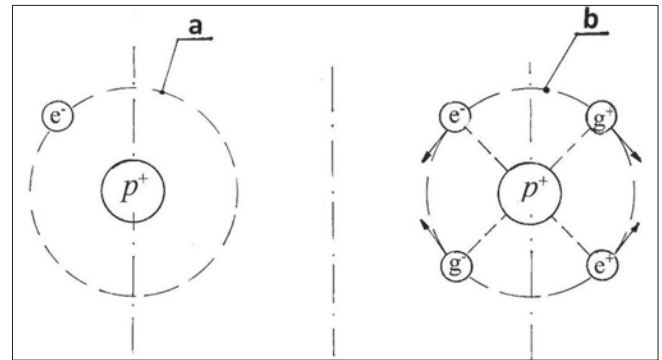


Figure 4: Diagrams of the structure of the hydrogen atom: Figure 4a, without taking into account magnetic charges and true anti-electrons and Figure 4b, with the inclusion of the above-mentioned magnetic and electric particles in basic physical notions

In Fig. 4b shows the device of the hydrogen atom with the inclusion of real magnetic charges and true anti-electrons in the analyzes. The shell of the last atom, which is the S-Graviton noted above, is an elementary source of the gravitational field. It is the latter circumstance that classifies the electromagnetic version of this atom as the real Physical Mass.

Note 1. The possible objection to the last statement of the author may be that in addition to the electron in the composition of the atom shown in Fig. 4a, there is also a proton, which is known to be a source of GF. Of course, this is so, but it must be borne in mind that the gravitating element in the structure of the proton again is the S-Graviton, adapted to the spinor particles (quarks) of the proton. It is easy to understand that in the absence of magnetic quarks, the proton S-Graviton also cannot be realized. As emphasized in the article, only S-Gravitons have the ability to emit a gravitational field. But in order for these gravitating elements to take place, magnetic charges (magnetic poles) and electromagnetic atom-like structures are absolutely necessary.

The Physical Mass with real magnetic charges and the absolute unsuitability of Higgs field.

Since 2001 (see [2]), the author in his publications tried to explain that all varieties of Physical Mass (PM) are electromagnetic structures atom-figurative, consisting of electric and magnetic spinor particles. One of the main characteristic properties of all varieties of PM is their ability to emit a gravitational field that is formed as the result of a joint orbital currents of electric and magnetic charges and is the vortex electromagnetic field. In other words: everything that creates a gravitational field is **Mass**. If magnetic poles (magnetic charges) are removed from the FM composition, then only electric particles will remain on this "place" which themselves are not able to form either mass or gravitational field.

At the same time, in modern mathematical physics, in conditions of complete disregard for real magnetic poles (charges), the function of endowing mass to particles is assigned to the Higgs field, the quantum of which is the known boson [21].

The paradoxical of situation with such “endowing” is that the existing representation of the mass is exclusively mathematical and has nothing to do with reality. A natural question arises: how can you give particles something about which there is no real physical representation?

As you know, the mathematical apparatus, even the most perfect, when applied to physical processes is just a language, a kind of “meat grinder”, the exit from which is determined by the physical quality of the “product” (physical model, concept) which is putting in it. A striking example of anti-positive at the exit from such a “meat grinder” can, again, serve as a vicious EM - Maxwell’s theory in which, at the stage of its formation, the Great theorist (unintentionally) ignored the magnetic spinor particles (magnetic charges), making up about half all of the charged particles in the structures of atoms and substance. It is with “light hand” Maxwell, the magnetic field which is the fundamental spinor field and generated by real magnetic poles, turned into an emanation, a kind of “miscarriage” of electricity. Paradoxically, this erroneous EM-theory, in many respects, determined the “development” of world theoretical physics for almost 150 years.

Did not escape infection by vicious “virus” of Maxwell and the famous boson Higgs Boson. A number of circumstances were intertwined here. On the one hand in the “absence” of real magnetic charges in the basic concepts, the physical essence of mass turned out to be outside the real knowledge. On the other hand, when forming the concept of his boson P.W. Higgs was forced to rely on the provisions of Maxwell’s electromagnetic theory, which, as shown by the research of the author, is extremely erroneous. It is the circumstances noted above that determined the fictitiousness of the Higgs boson, at least in relation to the physics of the real Mass.

The Higgs boson is often called to in the scientific literature as “the particle of God”. In connection with the author’s clarification of physical essence of mass, what turned out to be possible only as a result of introduction of real magnetic charges in the fundamental physical representations, this definition seems to be act of insult of the divine principle. As you know, the essence of God, always and in everything, is associated with absolute truth. As for the above-mentioned boson it is simply a useless mathematical product of the dodgy human mind which, as the author’s research has shown, has nothing to do with divine providence.

It is also important to note that there is no division of Masses into gravitational and inert ones. The concepts of gravitational and inert mass refer to the same electromagnetic structure, called Mass and correspond to different processes of interaction of its gravitational field with other masses (so-called gravitational mass) and the environment (so-called inert mass). The gravitational field emitted by a specific Mass, for example, by atom interacts with the gravitational field of the Earth what, as you know, determines the law of universal gravity of masses.

As for the “inert” mass, it is determined by the process of in-

teraction of the gravitational field of this mass with the energy medium (ether, physical vacuum, etc.) in the process of movement. Therefore, all spinors, i.e. charged particles, are exclusively massless objects of the material and antimaterial nature. Spinor particles, i.e. charged particles they have the property of inertia which, however, cannot connect them with physical mass (see, [18]). These particles are monopoles with electric or magnetic charges and individually cannot emit a gravitational field, which is a vortex electromagnetic field.

Conclusion

The vicious ignoring of real magnetic poles (magnetic charges), according to the author, is the most grandiose delusion in the world of physical science. The main reason for the noted disregard is very commonplace and lies in the polar, with respect to electrons, physics of the confinement of magnetic charges in atoms and substance. However, it is precisely the latter circumstance is the reason for the emergence the vicious concept of the electrical magnetism Maxwell.

Since introduction (1873) and the domination in physics of vicious electromagnetic concept of Maxwell, the “Himalayas” of great theories have been built, on which many generations of scientists, both physicists and representatives of other natural sciences, have been brought up. Therefore, the negative in relation to real magnetic charges was laid, as they say, “with mother’s milk.” An example of this is the story with of ignoring by the world physical community of experiments with magnetic charges by F. Ehrenhaft and his numerous followers, who have successfully repeated his experiments for many years [22, 23].

It is precisely the circumstances noted above, tragic for the fundamental physical theory that determined the emergence of such global theoretical delusions as the curvature of the 4-dimensional space-time, explaining the nature of gravity, the global expansion of the Universe and the big bang, annihilation of particles in particle-antiparticle pairs, fictitious Higgs boson and a huge variety of others.

The vicious electromagnetic concept of Maxwell, given its general-physical harmfulness, can to associate with the “cancerous formation” in the “body” of physical science, the “metastases” of which have hit its many areas and directions. Conducting global “chemotherapy” of the modern physical theory with the purpose of eliminating the numerous misconceptions generated by Maxwell’s vicious concept, according to the author, is the most urgent task for today. All this needs to be done and as soon as possible, because another 10 -15 years and even robots will laugh at us.

References

1. R.A. Sizov (1971) Delocalization of the magnetic moment of Fe³⁺ ions in Y type hexagonal ferrite at 293oK. *Journal of Experimental and Theoretical Physics*, 60(4): 1363-1370.
2. R.A. Sizov. (2001) New Presentation of Nature Magnetism, Gravitation and Nuclear Forces of Bonding. Akademizdat Center "Science", Moscow, 62 pages.
3. Robert A. Sizov (2015) Real magnetic poles (magnetic charges) in the Physics of magnetism, gravitation and levitation. *Journal of Modern Physics*, 6: 1013-1022. <http://dx.doi.org/10.4236/jmp.2015.68106>
4. Robert A. Sizov (2020) The Experiments Detecting of Real Magnetic Charges in Structures of Atoms and Substance. *Journal of Modern Physics*, 11: 1245 - 1261. <https://doi.org/10.4236/jmp.2020.118078>
5. Robert A. Sizov (2020) Experimental Ferro gravitational Field around Untwisting Closed Superconductor. *Journal of Modern Physics* > vol 11, № 11. DOI: 14236/jmp.2020.1111113
6. Robert A. Sizov (2021) The magneto-motive force, currents of magnetic and electric charges in static superconductor and them vortex spinor fields. *Journal Current Trend in Physics Research and Applications* 2(1): 1-10. <https://katalystpub.com/jctpra-articles-inpress/>
7. R.A. Sizov (2008) Electric and Magnetic Spinor Particles as Structure-Forming Components of Mass and Electromagnetic Source Gravitation. Akademizdat- Center "Science", Moscow (2008) 260 pages. [3].
8. Robert A. Sizov. (2018). Real Magnetic Charges as A Negation of the Electric Magnetism Maxwell and Electrified Dirac's Monopole. *Phys Astron Int J*. 2(1): 17-20.
9. R.A. Sizov (2019) The electrical magnetism of Maxwell (1873) is the "crooked mirror" of physical science. *Applied Physics Research*, 11(3): 49-55. <http://dx.doi.org/10.5539/apr.v11n3p49>.
10. J.C. Maxwell (1873) Treatise on Electricity and Magnetism. Volume 1-2 Clarendon Press, Oxford.
11. F. Ehrenhaft (1910): Wiener Berichte 119(11a) 836; (1942) Jour. Frank. Inst. Mar., 235; (1951) *Acta Phys. Austriaca*, 5: 12.
12. V. F. Mikhailov and J. Ruzicka (1989) Magnetic charge in the experiments by F. Ehrenhaft and their modern development, *Acta physica Univ. Comen.*, 29: 97-148.
13. Robert A. Sizov (2018) Nuclear Physics with Magnetic Charges. *Journal of Modern Physics* 09(02): 145-171. DOI: 10.4236/jmp.2018.92010.
14. R.A. Sizov (2017) "Electrical" and "Magnetic" Worlds in Universe. *Journal of Modern Physics*, 8: 1072-1086. <http://dx.doi.org/10.4236/jmp.2017.87069>.
15. P.A.M. Dirac (1931) Quantized Singularities in the Electromagnetic Field. *Proc. Roy. Soc. A*133: 60 – 72. <http://dx.doi.org/10.1098/rspa.1931.0130>.
16. Robert A. Sizov (2015) Dirac's "holes" are the true Antielectrons and real particles of Antimatter. *Journal of Modern Physics*, 6: 2280 – 2289. <http://dx.doi.org/10.4236/jmp.2015.615232>.
17. R.A. Sizov (2016) Electromagnetic Shells of Atoms and the Periodic System of Elements. *Journal of Modern Physics*, 7: 2374-2397. <http://dx.doi.org/10.4236/jmp.2016.716206>.
18. Robert A. Sizov (2015) Real Magnetic Charges in the Substance, Ferrogravitation and Technical Levitation. *Journal of Modern Physics* 6: 1591-1601. <http://dx.doi.org/10.4236/jmp.2015.611161>.
19. Robert A. Sizov (2016) World Physical Triad: Matter, Antimatter and "Dark Energy" in the Processes of Climatic Changes on the Earth. *Journal of Modern Physics*, 7: 558 – 572. <http://dx.doi.org/10.4236/jmp.2016.76059>.
20. Robert A. Sizov (2020) Gravitational Chemical Bond with Real Magnetic Charges and True Antielectrons. *Open Journal of Physical Chemistry*, 2020, 10: 48-67. DOI: 10.4236/ojpc.2020.101003.
21. P. W. Higgs (1964) Broken symmetries, massless particles and gauge fields. *Phys. Lett.* Vol. 12: 132 - 133. doi:10.1016/0031-9163(64)91136-9.
22. Robert A. Sizov (2020) Great Mistake of Great J. C. Maxwell. *Applied Science and Innovative Research* ISSN 2474-4972 (Print) ISSN 2474-4980 (Online) Vol. 4, No. 1 <http://dx.doi.org/10.22158/asir.v4n1p32>.
23. Robert A. Sizov (2019) The "Naked Electron". *Applied Science and Innovative Research*, 3(4): 257 – 263. doi:10.22158/asir.v3n4p257.

Copyright: ©2021 Robert A Sizov. This is an open-access article distributed under the terms of the Creative Commons Attribution License, which permits unrestricted use, distribution, and reproduction in anymedium, provided the original author and source are credited.